

A close-up photograph of a squirrel with grey and brown fur, sitting on a tree branch covered in snow. The squirrel is holding a nut in its paws and eating it. The background shows the rough bark of the tree and more snow. The overall scene is winter-themed.

Village Voice

DENHAM, HOXNE, SYLEHAM & WINGFIELD

DECEMBER 2021 - JANUARY 2022

Supported by community donation and advertising revenue

PARISH COUNCILS

DENHAM

Web: www.denham.onesuffolk.net
Tania Farrow (C) 07758 739052
Email: tgfarrow@btinternet.com
Nick Farrow
Kerina Jane
Duncan McGregor

HOXNE

Web: www.hoxne.onesuffolk.net
Sarah Foote (Clerk) 07554 733621
Email: pc@hoxne.suffolk.gov.uk
Kath Farthing (C)
Iain Gibson (V-C)
Colin Ablitt
Jo Chimes
Philip Flagg
Alan Garnham
Rob Marsh-Feiley
Kevin Potter
Simon Wilby

SYLEHAM

Web: www.syleham-pc.org.uk
David Young (Clerk) 01379 668556
Malcolm Flounders (C) 01379 668413
Gloria Elsdon (V-C) 01379 668409
David Goodwin
Gerald Lewis 01379 669258
Steve Phillips 01379 668686
Robert Pilch 01379 668038
Steven Scott 07780 977518

WINGFIELD

Web: www.wingfield-pc.org.uk
David Young (Clerk) 01379 668556
Lee Smith (C) 01379 384531
Tony Jolly (V-C) 01379 384024
Charlotte Claxton
Rosemary Elliott 01379 384789
Robin Feavearyear 01379 586757
Guy Mathias 01379 388391
Dennis Murray 01379 384503

CHURCH COUNCILS

DENHAM

Helen Joslin (Sec.)
Barbara Irwin (Treas.) 01379 669077
Hilary Castleden (CW) 01379 668458
Paul Chenery
Margaret Reeves
Michael Reeves

HOXNE

Debbie Harding (Sec.) 01379 668190
Guy McGregor (CW) 01379 668434
Wilf White (CW) 07932 768900
Caroline Abbott
Andrew Castleden
David Hyde
Anne Swann

SYLEHAM

Sarah Hawes (Sec.)
Mary Lewis (CW/Treas.) 01379 669258
Sarah Buckley (CW) 01379 668480
Thelma Soanes
Jim Woodger

WINGFIELD

Pat Grant (Treas.)
Peter Demetriadi (CW) 07395 067380
Graham Alldis
Sharon Alldis
Jacky Taylor
Robert Elliott,
France Demetriadi

**The Revd Eleanor Goodison and
Revd John McCracken are ex-officio
members of each Parochial Church
Council.**

C Chair
V-C Vice Chair
CW Church Warden

Diary Dates

Tuesday 30th November

Denham Parish Council Meeting p36

Wednesday 1st December

Syleham Parish Council Meeting SWH p37

Thursday 2nd December

Hoxne Parish Council Meeting HVH p37

Friday 3rd December

Open Mic SWH p11

Saturday 4th December

Hoxne Christmas Market HVH p4

Expletives - Live! SWH p13

Weekends 4th - 19th December

Hoxne Christmas Tree Sales p4

Tuesday 7th December

Coffee & Cake SWH p20

Thursday 9th December

J's Meadow Get Together p13

Friday 10th December

Film Night - The Last Bus HVH p14

Purple Star Karaoke SWH p13

Saturday 11th December

Coffee & Open Morning SWH p13

Craft and Produce Market HVH p15

Saturday 11th & Sunday 12th December

Christmas Market WB p15

Tuesday 14th December

Phoenix Talk HVH p29

Friday 17th December

Quiz Evening SWH p13

Saturday 18th December

Santa Run, Fressingfield p6 & p27

Coffee Morning, Hoxne Church p22



Tuesday 21st December

Wingfield Coffee Morning WB p5

Syleham Carol Singing p4

Friday 24th December

Live Nativity Nora's Yard, Denham p18

Friday 24th to Monday 27th December

Festival of Christmas Trees, Hoxne Church p5

Sunday 26th December

Tug of War, Hoxne Swan Inn p5

Thursday 30th December

Come for Coffee SWH p13

Friday 31st December

New Year's Eve Party SWH p13

Tuesday 4th January

Coffee & Cake SWH p20

Thursday 6th January

Hoxne Parish Council Meeting HVH p37

Friday 7th January

Hoxne Winter Walks p5

Open Mic SWH p11

Thursday 13th January

J's Meadow Get Together p13

Friday 14th January

Purple Star Karaoke SWH p13

Saturday 15th January

Coffee Morning, Hoxne Church p22

Tuesday 18th January

Wingfield Coffee Morning WB p5

Friday 21st January

Quiz Evening SWH p13

Saturday 22nd January

Pre-Burns Night Celebration SWH p13

Tuesday 25th January

Hoxne Heritage Talk HVH p31

Thursday 27th January

Come for Coffee SWH p13

Friday 28th January

Bingo SWH p13

Saturday 26th February

Quiz Night, Friends of Hoxne Church HVH p22

For Church Services and events, see p17-20

For Mobile Library, see p35

For MSDC Waste Collection Schedule, see p9

HVH St Edmunds Village Hall, Hoxne

SWH Syleham & Wingfield Village Hall

WB Wingfield Barns



Septic Tank Services

- Septic tanks emptied • Sewage treatment plants emptied, serviced and installed
- Drain jetting • Soak away replacement and installation •

~ Fully licenced & insured ~

Lenny Jolly

07905 794221

lenny.sts@hotmail.co.uk

Letters

MARGARET BRAWN

John and all the family would like to thank everyone for their cards and good wishes at this sad time. A particular thank you to Revd Eleanor and to all the members of the Friends who helped to make it such a special day. Just as she planned it!!!!

HOXNE HARVEST BREAKFAST

Having had a break for a year and with Covid still around, we were nervous about holding the Breakfast this year. Would people come? What happens if it rains? We needn't have worried. We had more people than last time and the weather was perfect, sunny and still. People met up with friends, enjoyed the food, played the games and sang the hymns giving us an overall profit of £795. The Village Hall and Playing Fields each received £397.50. Thank you to all the people who helped on and before the day, and thank you all for supporting us again.

Carole and Alan Smith

What's On...

Hoxne Christmas Market

On **Saturday 4th December**, Hoxne Christmas Market will be held once again from 12 noon - 3 pm in Hoxne Village Hall. Light lunches will be served, there will be lots of festive stalls and Father Christmas will be making an appearance.



Christmas Trees For Sale

Buy your

CHRISTMAS TREE

in **HOXNE**

A good selection of

Nordmann Fir (non drop)

ON SALE

Saturday & Sunday

4th & 5th, 11th & 12th

and 18th & 19th December

10 am to 12 noon

At Market House Drive, Low Street

Please order your tree so as not to be disappointed

Orders taken by Carole Smith

01379 668210

All profits are for Hoxne Playing Fields

Syleham Carol Singing

Would you like to join us carol singing? Or would you like us to sing carols for you? We want to organise village carol singing for charity, once again, on **Tuesday 21st December**. If you would like to sing, please let us know on **01379 669320** and come and join us at The White House Farmhouse, Whitehouse Lane, Syleham, between 6.00pm and 6.30pm for a glass of wine and something to eat before we set off. If you would like us to come and sing carols to you, please give us a ring too.



Last year we had to cancel because of Covid but the year before we had a good evening and raised £450. So why not come and join us or ask us to sing? We always like to welcome new people, so do get in touch; always happy to go as far as

Wingfield or Weybread! In the letter of thanks that we received in 2019 from the East Anglian Children's Hospice, they said: "Your support is invaluable, as it enables us to continue delivering care to local families."

Jane and Adrian Knott

WINGFIELD COFFEE MORNING



Join us for a Wingfield Winter Coffee Morning
Enjoy a Hot Drink, Cakes and a Chat
From 10.00 - 12.00 at Wingfield Barns
Every Third Tuesday of the month
Everyone Welcome
21st December and 18th January

Festival of Christmas Trees

A reminder that the Annual Festival of Christmas Trees in Hoxne church will take place between **Friday 24th December and Monday 27th December**. Wednesday 22nd December has been allocated for set up and decoration and Tuesday 28th December for removal and disposal. As in previous years, everyone is welcome to provide and decorate a tree and there will be spare trees available on a first come first served basis for those who would like one. For further information please contact: Rhona Bertie or David Hyde.
rhonabertie@gmail.com
davidjhyde@btopenworld.com



Boxing Day Tug Of War

Its back, bigger and better than ever before, the Hoxne **Boxing Day Tug of War** at the Swan Inn. Two teams from the village will be competing again for the bragging rights. We're looking for participants to join us from both sides of the village to bring back this historical event.

Along with the muscle, we also have the meat available on the BBQ from 12 noon. Doors open from 11:30 am with the event starting from around 12:30 pm.

If you're interested in taking part you can register your interest at the pub. Teams are nearly complete with just a few spaces left so be quick.

And if you wish to book a table on the day for lunch call **01379 668275** or email: info@theswaninnofhoxne.co.uk

Hoxne Winter Walks

I have come up with the idea of night time winter walks around Hoxne - I know the early months of winter can be sometimes daunting and lonely as everyone hibernates and looking to keep off the booze and biscuits.

I am going to hold the first walk on **Friday 7th January**, meeting at Low Street Green, Hoxne at 6.30 pm (weather permitting) all welcome. Bring suitable clothing and footwear and a torch and hi-vis if you have one. There will be marshals to help / guide.

We all have busy lives and maybe find it hard to get out during winter daytime because of work and/or family commitments, so this is a chance to stretch legs, take in some cold winter air and walk along with the locals and it's something different.

Craig Entwisle
07592 845930
craigb.entwisle@gmail.com



1st Fressingfield Scout Group

Santa Run 2021

Saturday 18th December 2021

Run/walk/stroll starts at 10am

2.5km or 5km (approximate) course



1st Fressingfield Scout Group invites you to our first Santa fun run on Saturday the 18th December 2021. Dress up, come along and be part of the spectacle 😊 Admission is £10 per person (under 5s no charge), please also try to raise additional funds for our fabulous Scout Group by securing sponsors from your friends and family. (Sponsor form attached).

Important information:

- Please aim to arrive (on foot/by bike) where possible, at the start point by 0930.
- If you are driving, there is limited parking at the following sites around the village: at the Scout HQ and Weybread Woodcraft, the surgery and the Sports and Social Club.
- There will be free hot drinks and biscuits served at the Scout HQ with other refreshments on sale at the Scout HQ and at the Sports and Social Club **great spectator spot!
- First Aid is available at the Scout HQ and by our caring marshals on the route.
- Please ensure that you are fit and well to attend, please observe any covid-19 requirements in place.
- Toilets are available at the Scout HQ and at the Sports and Social Club.
- When travelling around the course, please be aware that there are no traffic restrictions and it is essential that you follow the directions of our marshals, travel safely and ensure that children are supervised. No dogs are permitted.
- The route is on the attached plan, you can either complete one circuit (2.5km) or two circuits (5km), distances are approximate and the route should be clear of Santas by 11am.
- While in Fressingfield please also take advantage of our community facilities where a warm welcome and refreshments can be found after your fun run, at the Sports and Social Club, Mace General Stores, The Fox and Goose and the Swan Inn.
- Please register by emailing: Andrew.aaldersdunthorne@talk21.com confirming the number of participants, Santas will need to pay on the day at the Scout HQ to receive their certificate.

Registered charity number: 1181154

Visit our website at: <https://www.1stfressingfieldscouts.org.uk/>

recycle

Your Christmas trees

at

Hoxne Village Hall
car park



'Real' trees can be left at this site from 7am on Thursday 30th December, until 6.30am on Monday 24th January.

Trees must be less than 7' tall & must have all decorations, stands & pots removed.
Please call 0300 1234000 (option 4) for further details



Hello to all the children of Hoxne

It is very cold here at the North Pole, so I am really excited about coming south in a few weeks time. As you know, I always make a special appearance in Hoxne on Christmas morning to deliver all of your presents. The elves have been extremely busy all year making some wonderful toys, so my sack is getting very full. As always, I have employed some local elves to help me. Just remember, I need you to tell me if you have any visitors staying or I will deliver their presents to the wrong address.



I have filed a flight plan with the Airways Authority and expect Rudolf to land the sleigh in **Denham Road** about **6am**. This means we will reach **Nuttery Vale** about **7am** and **Low Street** about **8am**. Just in case we get lost(!), can you make sure all presents are marked with full name, address and telephone number.

Joan, my friend in the village shop, will advise and help you if needed. So please contact her before **Saturday 18th December**. If you need a label please use the one shown, but Joan will have some spares.

*Lots of love and cheer,
Father Christmas*

Name

Address

.....

Postcode

Tel. No.



**Very Responsible
Local Metal Detectorist**

N.C.M.D. Insurance provided

All land considered

This is a free service

badgerbobo1@yahoo.co.uk

Please ring Brian on

01379 388174

07759 956627



**Computer Repair &
IT Support**

**Fast, Friendly and
Understandable**

PCs, Laptops, Printers,
Tablets, Virus Removal,
Tune Ups & Upgrades,
Broadband Problems,
Networks etc.

**Home User or Small Business
We Can Help You!**

Hexpek.it

07908 222428 - 01379 668150

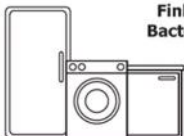
www.callthecomputerguy.co.uk

Doug Aiken part of

DK Appliances Ltd

**Domestic Appliance Repairs,
Sales of New and Reconditioned Machines**

Finbows Yard, Station Road,
Bacton, Stowmarket IP14 4NH



Telephone:
01449 780398



Sample the warmth this winter in
The Swan Inn of Hoxne

Along with a friendly welcome,
you can experience great food
7 days a week. Lunch service is
between 12 and 2:30, with
evening service from 6 until 8:30
Monday to Saturday.

And every Sunday between
12 and 4 you can try our fantastic
Sunday roast.

A new addition this year is the
sports barn, with an amazing
golf simulator and pool table
available. You can see more info
on our facebook page
"The Swan Inn Of Hoxne".

To see our current menus and
special event menus you can
check our website.

Tel: - 01379 668275
www.theswaninnofoxne.co.uk

Your Village Voice needs you!



As mentioned in the Oct/Nov issue, this is to be my last *Village Voice* as editor. Without a replacement editor this may well be the last issue too. Could you be the person to take the *Village Voice* forward in 2022? It's more of a coordinating than editing role, so don't be put off! I'm happy to provide guidance and there was a brief overview in the Oct/Nov issue of what's involved. Many thanks to all the advertisers and contributors over the past five years, without whom there wouldn't have been a magazine. Special thanks to my wife Claire for "typing up" those occasional handwritten pieces and also to the mystery compiler of the ever-popular crossword.

If you have a spare slot every couple of months, then please get in touch for more information. I look forward to hearing from you.

Richard Whiting 01379 669111 vvsuffolk@live.co.uk

Going, Going...



Mid Suffolk District Council

Christmas & New Year Waste Collection Schedule 2021/22

	Usual Collection Date	Revised Collection Date	Change
Refuse	Monday 27th December 2021	Wednesday 29th December 2021	2 days later
	Tuesday 28th December 2021	Thursday 30th December 2021	2 days later
	Wednesday 29th December 2021	Friday 31st December 2021	2 days later
	Thursday 30th December 2021	Tuesday 4th January 2022	5 days later
	Friday 31st December 2021	Wednesday 5th January 2022	5 days later
Recycling	Monday 3rd January 2022	Thursday 6th January 2022	3 days later
	Tuesday 4th January 2022	Friday 7th January 2022	3 days later
	Wednesday 5th January 2022	Saturday 8th January 2022	3 days later
	Thursday 6th January 2022	Monday 10th January 2022	4 days later
	Friday 7th January 2022	Tuesday 11th January 2022	4 days later
Refuse	Monday 10th January 2022	Wednesday 12th January 2022	2 days later
	Tuesday 11th January 2022	Thursday 13th January 2022	2 days later
	Wednesday 12th January 2022	Friday 14th January 2022	2 days later
	Thursday 13th January 2022	Saturday 15th January 2022	2 days later
	Friday 14th January 2022	Monday 17th January 2022	3 days later
Recycling	Monday 17th January 2022	Tuesday 18th January 2022	1 day later
	Tuesday 18th January 2022	Wednesday 19th January 2022	1 day later
	Wednesday 19th January 2022	Thursday 20th January 2022	1 day later
	Thursday 20th January 2022	Friday 21st January 2022	1 day later
	Friday 21st January 2022	Saturday 22nd January 2022	1 day later

From Monday 24th January 2022 refuse and recycling collections return to the normal schedule.

Please note: There will be no garden waste (brown bin) collections during the weeks commencing 27th December 2021 and 3rd January 2022. Please refer to the garden waste collection schedule, which is available at: www.midsuffolk.gov.uk/waste-services



GOLDBROOK

BOARDING KENNELS & CATTERY

Nuttery Vale, Hoxne, Suffolk IP21 5BB

Telephone 01379 668267

info@gbkac.co.uk



"Our Team"

Proudly owned and run by
Sara & Don Warren

Please feel free to pop in and meet us,
we will be happy to show you around

OPENING TIMES

Monday - Saturday 8.00am - 12 noon
and 3.00pm - 6.00pm

Sunday and Bank Holidays
9.00am - 12 noon



Safe & Sound Hygiene and Pest Control

For ALL your Domestic
and Commercial Pest Control
No obligation - Free Survey / Quotes

Call us to discuss your pests

01379 788865

safeandsoundhygieneandpestcontrol.co.uk



Self catering holiday let in
Derbyshire bungalow

Sleeps four - For details
please ring **01379 740339**

Local Delivery
Or Safe Zone
Collection
Available



POTTERS

ANIMAL FEED & SUPPLIES

From Big to Small We Do It All

PET & ANIMAL FEED
WILD BIRD FEED AND FEEDERS
BEDDING & SUPPLIES, POULTRY PRODUCTS
POINT OF LAY CHICKENS
Pure Breed & Hybrid

NEW! Let's Go Walkies Dog Run
Softer Salt & Much More

01379 384 801

We Are
Currently Open
Wed - Sat
9.30am - 3.30pm

Christmas
Outdoor Market with
miniature Donkeys
12th December
from 9.30am

Hens will
be back
in stock end
of February



Visit us at Vicarage Road, Wingfield IP21 5RB

www.pottersfeedstore.com

THE GOOD
AND THE
BAD
AND THE
HUNGRY



Stunning
NEW
Dinning
Room

Sunday Carvery
after breakfast
service

We Are
Currently Open
Wed - Sun, Open
late Friday evening

Join us for Breakfast, Lunch,
Evening Dining, Afternoon Tea
or Private Functions

Back Bigger & Better, Come & Enjoy Our
Unique Country Style Restaurant Situated
Within GWC Equestrian Centre, Outside
Dining Available Overlooking Beautiful
Open Countryside. Dog Friendly
and Now Fully Licenced

Have You Tried It Yet?

01379 388 193

Fully Covid Secure
Vicarage Road, Wingfield IP21 5RB

Hoxne Playing Field & Pavilion

There have been some changes in the running of the playing fields and pavilion in Hoxne this Autumn. Our indefatigable Treasurer, Gail Jackson, has stepped down from her role after an amazing 25 years, following her move to Diss to be near her family. With her husband, Trevor, she was instrumental in the expansion of the pavilion, enabling the opening of a bar and founding the Social Club which provided a friendly place for social gatherings in this part of the village. Gail supported the football club by, not only being its treasurer, but also opening the bar for after match drinks and providing refreshments for both teams. Gail's mid-summer Balls held in a grand marquee at the playing field were legendary. She organised many social events including family barbecues, entertainment nights and the annual children's Christmas party. The committee and the village owe Gail a huge vote of thanks for all her hard work and enthusiasm over the years.

The AGM for the playing fields was held in September and a new Management Committee has been formed. Andrew Banham has taken on the Chairmanship, with Stuart Jarrold as Vice-Chairman, Julie Bryant is Secretary and Duncan MacGregor has become Treasurer. Other committee members are Carole Smith, Kath Farthing, Emily and John Bower and Felicity Golding.

Work has been completed to repair the roof following storm damage and the showers in the two team changing rooms have been refurbished. The whole committee spent one Sunday tidying up the pavilion and sports store and gave the pavilion a thorough clean. Plans are being made to upgrade the heating and to replace the furniture with stackable

chairs to enable a more flexible use of the pavilion for a range of events. The Tai Chi group has already begun to meet in the pavilion, and we are keen to welcome other sports, fitness or community groups to use the space. The committee is keen to start the Social club once again.

The Pavilion is available to hire for private functions. It provides an excellent space for meetings. Children's parties are particularly popular with the well equipped kitchen, and the excellent play area outside.

If you are interested in hiring the pavilion please contact us by email:

hoxneplayingfield@gmail.com

Alternatively send us a message on our Facebook page - just search for "Hoxne Playingfield Pavilion".

Felicity Golding

Syleham & Wingfield Village Hall

The regular events and activities at Syleham and Wingfield village hall have continued, interspersed with occasional events such as Harvest Suppers and private hire for both children and adult family celebrations.

Our Carpet Bowls group are busy on **Monday evenings**, and have enjoyed getting back together. Call in on a Monday if you would like to join them.

The Sports and Social club open the bar from 8pm each **Tuesday and Friday**. Pool and Darts are always available, as well as board games. On **Tuesdays** a few Jive dancers use the main hall for some relaxing dance. Come and join them.



Most **Fridays** follow a pattern of entertaining activities - Open Mic, Karaoke, Quiz, Bingo - through each month. We start with Open Mic on



DISS SELF STORAGE

07757 689988
www.DissSelfStorage.co.uk



For all your
Commercial & Personal Storage Needs

Also Click & Collect Boxes & Packaging



David Huggins

Handy Man

Building and Garden maintenance including paths, patios & shed bases

07881 944877
01379 870323



TREE MENDERS

Environmental Arboriculture

TREE SURGERY.
HEDGE CUTTING/LAYING.
FIREWOOD.



TREE PLANTING.
TREE FELLING.
STUMP GRINDING.



Free Quotes and advice.

Established 2004. Fully qualified and insured.

treamenders@yahoo.com
www.treamendersnorfolk.co.uk

01379 853070 07905 750070



Oil, Gas & LPG Boiler Servicing & Repairs

Boiler Installations
Powerflushing

A PROFESSIONAL AND RELIABLE SERVICE
FREE ESTIMATES & FULLY INSURED



Call JULIAN 07944 983662
E-mail: JJBoilerman@gmail.com



Friday 3rd December and 7th January, followed by Purple Star Karaoke on **Friday 10th December and 14th January**.

We always like to support local good causes with our quiz and bingo evenings.



East Anglian Air Ambulance have benefited from our first Bingo sessions after reopening and November's quiz will also add to EAAA funds. **Friday 17th December** sees a Quiz evening in aid of Village Hall funds, while our Quiz on **Friday 21st January** is in aid of *Eye Opportunity Group*. There will be Bingo on **Friday 28th January**.



Expletives– Live!

We have live music on **Saturday 4th December**, when the punk band *Expletives* return - expect Jam, Ramones, Pistols, Clash and more.



Open Morning

On **Saturday 11th December** we have a Coffee and Open Morning from 10 until 12 midday. Do come and be nosy, have a look around your Village Hall, look at the pictures of the two villages

over the years, enjoy a coffee/ tea, even have a game of pool or ludo!

Come for Coffee

All are welcome to *Come for Coffee* (and craft) on the **last Thursday** of the month, 1.30 pm to 3 pm. Come on your own, come with friends, meet neighbours, bring your own craft activity if you wish. **Thursday 30th December and 27th January**.



J's Meadow Get Together

If fresh air is more your 'thing' then join us on J's meadow for a *Get Together* on the **second Thursday** some time between 10am and 12 noon. Planting, hedging, tidying, ideas and chat. Bring your own refreshments, and tools. **Thursday 9th December and 13th January**.

Christmas and New Year

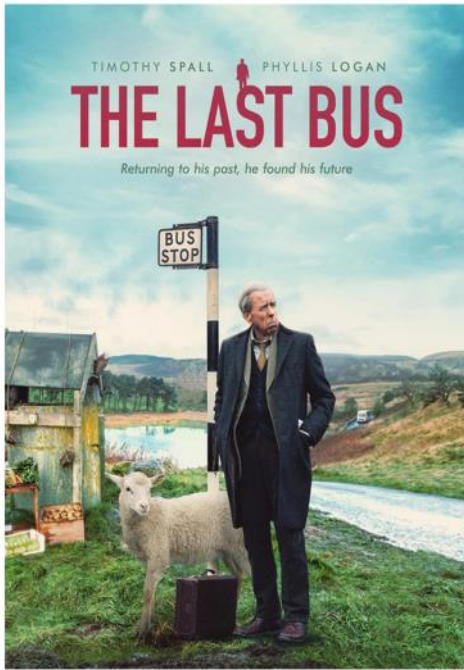
The SWSSC bar will be open from 8pm on **Friday 24th December** and **Tuesday 28th December**.

New Year's Eve on **Friday 31st December** sees Jukebox John leading the party into 2022! Bar is open from 8pm until late! Burger van! £5 for members of the Sports and Social club, £7.50 for non members (annual membership £3.50/ £3.00 for concs.). Tickets available from the bar at the village hall on Tuesday & Friday evenings, or Contact Julie or Donna - details shown below.



Burns Night

We are looking forward to a Pre Burns night celebration on **Saturday 22nd January**. Please save the date, and look out for further information. Please contact Donna (see below) for details, and to book. Whiskey tasting, Haggis treats, and more are promised!



Timothy Spall stars as a widower travelling from John O'Groats to Land's End using free local bus passes. He carries his wife's ashes in a suitcase and aims to scatter them where they first met. Local people become interested in his journey and he becomes a nationwide story. With Phyllis Logan, Brian Pettifer. Cert 12.

St Edmund's Hall, Hoxne - Film Nights

The Last Bus

Friday 10 December

Advance Bookings Only

7:30pm

£4.00 a ticket includes arrival drink & mince pie

You must book in advance as numbers are limited

01379 668060

Bar open from 7pm and during the interval

Advance Notice

Eastern Angles touring professional theatre group will be with us in May 2022!

Before then *Marc James* will be here in March, and later in the year *Paul Birch as Buddy Holly*.

Visit our website for the latest news:
sylehamandwingfieldhall.org

Julie Thompson
Text 07929 794636
juliethompson435@gmail.com

How to book the hall

Syleham and Wingfield village hall IP21 4LT is available for hire at very reasonable rates - for a party, a meeting, a get together, an event...

There's a good size kitchen with plenty of cutlery and crockery, large double oven, room to prepare and serve. There's a comfortable seating area near the bar and room to spread out in the characterful main hall.

Bookings for Syleham and Wingfield village hall can be made with:

Donna Baker
07876 487294 / 01379 668361
donnamariemoose@hotmail.co.uk

Hoxne Village Hall

Many of our regular hirers have now settled back into using the Hall and we all hope that by the time you read this that it will still be the case! Phoenix, Garden & Social Club and the Parish Council all use the Hall for their monthly meetings and we also have weekly ballroom, badminton and Hoxon Hundred.

The Hall Committee held their AGM on 28th October, which was followed by the Bar AGM. As the Hall was closed for so long due to Covid, there was not a lot to report on! We sincerely hope that this year turns out to be different. We

already have bookings for next year including weddings, quizzes and a celebration lunch. If you would like to discuss a potential event please contact us - details below.

Christmas Market

Saturday 4th December will see the Hoxne Church Christmas Market at the Hall, see page 4 for details.



Film Nights Return!

We are pleased to say that at time of going to print we are aiming to show *The Last Bus* on **Friday 10th December**. To celebrate the return, the £4 ticket price will include a free arrival drink and mince pie. Numbers are limited so you must book in advance on **01379 668060**. See page 14 for more details.

Craft and Produce Market

We have also seen successful Hoxne Craft and Produce Markets (including the ever popular café) return. The next one is on **Saturday 11th December** - a good chance to get unusual Christmas gifts without travelling too far!

Email Sally & Sharon at:

hoxnevbookings@outlook.com
Phone Sharon on 07876 215269.
www.hoxnevillagehall.co.uk

We're sorry if the website isn't available - the host is changing which seems to be causing us problems - please check back!

Wingfield Barns

Wingfield Barns is all set with more stalls inside and out at our second annual Christmas Market on **Saturday 11th & Sunday 12th December**.

Carol singers will get you in the festive mood and we have a selection of savoury and sweet food when you need a refreshment break from all that shopping.

As per last year we are asking that visitors pre-book a half hourly arrival slot so we can ensure plenty of parking and space to move around the Market at:

bookwhen.com/wingfieldbarns

Advance Notice

Friday 4th March - Open Space Theatre Co presents *The Bear* a farce by Anton Chekhov.

Saturday 12th March - Peter Knight and John Spiers, Album Launch Tour.

Saturday 2nd and Sunday 3rd April - Roughcast Theatre Company presents *Macbeth*.

Sunday 24th April - *The Wind In The Willows*, a brand-new musical adaptation by GreenMatthews.

Friday 6th May - Blake Morrison with The Hosepipe Band.

Saturday 7th May - Jacob & Drinkwater.

Saturday 21st May - Martin Simpson and Andy Cutting.

Tickets for all events are available at wegottickets.com or see our website for more details or call 01379 384505.

*Wingfield Barns, Church Road
Wingfield IP21 5RA
01379 384505
www.wingfieldbarns.com*

A festive poster for a Christmas Market. The background is a vibrant red with soft, out-of-focus white and pink bokeh lights. At the top, the words "CHRISTMAS MARKET" are written in a large, white, serif font. Below this, there are two stylized green Christmas trees with white lights on either side. In the center, there is a white line-art illustration of a large, multi-story barn with a gabled roof and a central entrance. Below the barn, the text "WINGFIELD BARNES" is written in a white, serif font. Underneath that, "SAT 11th - SUN 12th" and "DECEMBER" are written in the same font. At the bottom of the poster, "10am - 4pm" and "£3 ENTRY" are written in a white, serif font.

OVER 35 STALLS

www.wingfieldbarns.com

IP21 5RA

Church Services

Denham, Hoxne, Syleham and Wingfield

The Hoxne Benefice Newsletter includes details of all services and also covers the three parishes outside the Village Voice distribution. Copies can be picked up in churches or electronically by request from:

hoxnebeneficeoffice@gmail.com

If you need to get in touch with the Hoxne Benefice, tel.: **07876 143579**

Every Saturday and Sunday

8am CW Morning Prayer on:

[facebook.com/WingfieldChurch](https://www.facebook.com/WingfieldChurch)

Every Friday

6pm Compline on Zoom

For an invitation to our Zoom services, please email:

eleanor.goodison@gmail.com

Some services in church are also live streamed or uploaded to:

[facebook.com/WingfieldChurch](https://www.facebook.com/WingfieldChurch)

Sunday 5th December

Second Sunday of Advent

9.30 am BCP Holy Communion, Hoxne

11 am CW Holy Communion, Wingfield

4 pm Messy Church Christmas celebration, Syleham Village Hall

Sunday 12th December

Third Sunday of Advent

9.30 am CW Holy Communion, Redlingfield

9.30 am Café Church, Hoxne

Sunday 19th December

Fourth Sunday of Advent

9.30 am CW Holy Communion, Hoxne

11.15 am Carol Service, Syleham with Adrian Knott and singers

4 pm Carols by Candlelight, Wingfield

Tuesday 21st December

6 pm Carols + Christingles, Hoxne

Wednesday 22nd December

3 pm Carol Service, Denham

Friday 24th December

Christmas Eve

3 pm Live Nativity Nora's Yard, Denham

11.30 pm Midnight Service, Horham

Saturday 25th December

Christmas Day

9.30 am BCP Holy Communion, Syleham

9.30 am CW Holy Communion, Hoxne

11 am CW Holy Communion, Wingfield

Sunday 26th December

St Stephen's Day

11 am CW Holy Communion, Denham

Sunday 2nd January

Epiphany

9.30 am BCP Holy Communion, Hoxne

11 am CW Holy Communion, Wingfield

4 pm Messy Christingle, Syleham Church

Sunday 9th January

Baptism of Christ

9.30 am CW Holy Communion,

Redlingfield

9.30 am Café Church, Hoxne



Sunday 16th January

Second Sunday of Epiphany

9.30 am CW Holy Communion, Hoxne

10 am Village Service, Syleham ML

6 pm Evensong, Zoom

Sunday 23rd January

Third Sunday of Epiphany

9.30 am BCP Holy Communion, Syleham

9.30 am BCP Mattins, Hoxne

11 am CW Holy Communion, Denham

Sunday 30th January

Presentation of Christ in the Temple

11 am CW Holy Communion, Hoxne

Church News

Endings and Beginnings

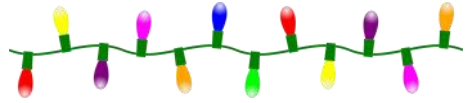
Christmas is coming, quickly followed of course by the end of the calendar year. Many of us will be meditating on the ravages of the coronavirus as we come to the end of 2021 and remembering all those we have lost. We will probably also be contemplating the huge changes likely to be brought about by the climate crisis, together with the measures required to limit global heating and mitigate its effects. These will certainly mean we have to put an end to many of our wasteful habits, as well as adapting ourselves in the ways we travel, heat our houses and even what we eat. Endings such as these can be hard and painful.

But endings can also make way for new life. The new year actually begins for the church on Advent Sunday, which we celebrate on **Sunday 28th November**. We spend a month preparing for the new beginning of Christmas, signalling the start of a new relationship between God and people on earth, brought about by the saving life and death of Jesus Christ. God is continually making all things new, and the turn of the year and the lengthening of the days remind us that there is hope for the future. Spring is not that far away!

I look forward to seeing you at our Christmas services, detailed in the schedule. We will keep the situation with Covid 19 under review as the winter progresses and reintroduce some additional precautions if necessary to keep everyone safe. I wish you all a very Happy Christmas and a safe and healthy New Year!

Revd Eleanor Goodison

Please note: Revd Eleanor and Revd John will be away for the weekend of 11th/12th December and they will also be taking a break from Monday 10th January to Saturday 15th January 2022.



Virtual Christmas Market

Our virtual Christmas Market proved so successful last year that we have brought it back, alongside our face to face activities this Christmas. Look out for the full catalogue of items available which will be in our churches, pubs and the Hoxne Post Office. Here is a taster of the sort of things which will be on offer:

Home made Christmas cake £3.50;

Home made autumn fruits chutney

£3.00; Wingfield church in snow

Christmas cards £5.00 (pack of 10);

Contact Revd Eleanor **07876 143579** to place an order.

Live Nativity

Our very popular Live Nativity is back at 3 pm on Christmas Eve at Nora's Yard, IP21 5DB (It's on the road between Hoxne and Denham). Real live animals and a real live baby! All welcome - wrap up warm.



Celebration of HM The Queen's accession to the throne

On **Sunday 6th February** our church services will celebrate the 70th anniversary of the accession of Queen Elizabeth II. Holy Communion according to the Book of Common Prayer at Hoxne at 9.30 am and Common Worship Holy Communion at Wingfield at 11 am.

St John, Denham

We have moved the altar down the steps into the nave while the builders are at work on the chancel. They have been very accommodating restricting the first week to working outside (painting gutters and downpipes/stripping and rendering the south wall) so that all the church was available for Harvest Festival combined with Elise's Baptism Service which was a very joyful occasion.

Since then they have exposed the stonework around the internal cracks which have required stainless steel reinforcement, rebuilt the loose and missing flint work and made good the plaster. So we are now waiting for the plaster to dry and the arrival of the cherry picker so that the roof repairs can be done. Hopefully these will have been completed and the chancel lime washed in time for the Advent Service on **Sunday 28th November**.

We hope that you will be able to join us for the Carol Service on **Wednesday 22nd December** at 3 pm and have time for a festive glass of wine afterwards. There will be a Service of Holy Communion on Boxing Day - **Sunday 26th December** at 11 am.

Hilary Castleden
01379 668458

St Peter and St Paul, Hoxne

Church wall hangings! The Churchwardens have been doing a long overdue tidying of the church Vestry and have found some interesting items including wall hangings made by the children of Hoxne School, we think about ten years ago. We are looking for a new home for these hangings, the Vestry is damp and as such is not an ideal atmosphere for preserving the art work.

Were you involved in the project, do you want your artwork returned to you if

we still have it? Please let me know before **January 15th 2022**.

Debbie Harding
01379 668190
zebrainbexhill@yahoo.co.uk

Mothers' Union

The Hoxne branch of the Mother's Union normally meets on the **third Monday** of the month at 2.30pm at Time House, Low Street, Hoxne.

Monday 20th December - Branch meeting; **Monday 18th January** - Annual General Meeting

Our annual I - Chameleon shop in Halesworth raised a total of £1433.71. Thank you to all who contributed in any way.

We continue to share regular Newsletters with information from around the diocese and beyond.

New members are always welcome. Cathie McGregor, Branch Leader **01379 668434**.

Flower rota

December is the season of Advent and there will be an Advent Candle in church. A Christmas Tree Festival and Nativity scene are planned for Christmas.

January 2nd, 9th & 16th - Altar, Cathie McGregor; **January 23rd & 30th** - Altar, Suzanne Lewis;

There is hand sanitising available for use in the church. Thank you to all the flower arrangers for your contributions to keeping our church a welcoming place for visitors.

If you would like to join our group please contact Cathie McGregor, flower rota organiser **01379 668434**.

St Margaret, Syleham

Ride & Stride - Our thanks to Austin and Lawrence Pilch and their parents who 'rode', and Gary Fox who 'strode', for the Suffolk Historic Churches Trust event in September and between them raised

£420, of which £210 is returned to St Margaret's.

Our **Harvest Festival** on 17th October was well attended, the church was beautifully decorated and a generous collection raised £175 + gift aid for the farming charity YANA (You Are Not Alone).



Harvest Supper on 23rd October was a sell-out, and we were sorry two couples had to be disappointed as it was a fun evening. We made £712 for church funds, good news as we have further repairs to cover.

Christmas - Don't forget the ever-popular Carol Service with *Amici* at St Margaret's on **Sunday 19th December**, at 11.15am. There will be mulled wine and festive nibbles to follow. **Christmas Day** will see a Communion Service at 9.30am.



February event? Keep a look-out for news of a return of *Call My Bluff (Wine)*! Colin Campbell has offered to run this hilarious event again and it is likely to be in February.

Messy Church enjoyed a further session in J's Meadow, when the children planted out their own little garden; it now provides a colourful corner and there should be spring bulbs appearing in due course.



St Margaret's remains open daily: visitors comment on the peaceful and welcoming ambience and often say they wish they had discovered it before. We have applied for a Bronze Award as an Eco Church so hope to have a certificate to display before long.

Coffee & Cake is continuing monthly at the Village Hall, on **first Tuesdays** from 10am - 11.30am. A warm welcome awaits, with free coffee or tea and freshly home-made cakes, in an attractive setting and with table service.



Contact for all above:
Churchwarden Mary Lewis
on **01379 669258 / 07775 732259** or

Dorothy Margaret Brawn

“Margaret”, 1938 - 2021

Hoxne bade farewell to Margaret at a packed St Peter and St Paul's Church on Friday 29th October. Margaret, like her surviving husband John, was born in Wolverhampton. They had two children Stuart and Karen. John's work took them to Newmarket before coming to Hoxne in 1975.

Margaret became a dynamic figure in village life, being involved with the church, village hall, garden club and save the children, amongst others. Margaret was a kind, generous, very well organised person who would help anybody.

Following a private cremation at Norwich earlier in the day, the church service to celebrate her life was organised completely by Margaret herself.

Tributes were paid by her daughter and a life long friend. A poem was read by Maureen Johnson and prayers were lead by Cathie McGregor.

The service was conducted by Revd Eleanor Goodison and assisted by Revd John McCracken and the organist was Jim Kirkham. Afterwards, a reception was provided in the village hall.

Donations can be made payable to *Susan Whymark Funeral Service Ltd, Chestnut House, 12 Progress Way, Eye IP23 7HU* and will be split between East Anglian Air Ambulance and The Friends of Hoxne Church.

Clive Baxter

Times Past

On the button!

Turning over a bit of spare ground in the veg patch recently, I dug up a small and rather insignificant looking button with four holes in it. I decided to give it a clean and was surprised to find it was brass, with the maker's backstamp, "TURNER & CO of BIRMINGHAM". Of rather more interest, though, was the lettering on the front which read "R. CRACKNELL HOXNE".

It was clearly a trouser or shirt button, probably sold on a card as a dozen to enable Hoxne wives to replace those lost by their labouring menfolk. Richard Cracknell ran what is now our village shop as a grocers and drapery business from about 1827 on what was known as Hoxne Green, when the then owner, Alfred Tallent was made bankrupt and the premises put up for auction by James



Roper. He sadly died quite young in 1834 and the shop eventually passed to his sons, Richard and Thomas by 1850, who took over from the executors who had been carrying on the business for several years. A nice example of early advertising before the age of wireless and television!

Chris Johnson

Friends of Hoxne Church

This is the first report I have written for the Village Voice in my capacity as Chair of the Friends of Hoxne Church and it is with great sadness that I have to pay tribute to Margaret Brawn, who as I am sure most of you are aware, died in October. Margaret was a stalwart of the Friends Committee and worked tirelessly supporting and organising fundraising events, social events and trips. Everything she did was carried out with gusto and cheerfulness and we all knew where we stood when Margaret was in charge. She supported John in his term as Chairman of the Friends and we are all very grateful to both Margaret and John for the time and effort they have both put in over many years. John decided to step down as Chairman and has handed the baton to me - a very hard act to follow but I will do my best.

The Saturday coffee mornings have resumed and are being reasonably well supported and producing much needed funds for the Friends. Please do come along to the church on the **third Saturday** of the month between 9.45 am and 11.15 am, to chat with friends old and new, partake in coffee and cake, and rummage through the many books that are on sale. We also have a bring-and-buy stall and a raffle. It will be great to see you there.

The Friends are continuing to support the provision of toilet facilities at the church and it is hoped this will come to fruition in the near future.

There are two dates for your diaries: A Quiz Night is being organised for **Saturday 26th February** and as we were unable to hold the Harvest Lunch due to Covid, a Spring Lunch is being organised for **Sunday 13th March**, both

events to be held in the Village Hall. Details of both these events will be available in due course.

The aim of the Friends is to support the fabric of the church, and as you can imagine, this can get very expensive. As with most other organisations, Covid has hit our funds very hard so any support any of you can give would be greatly appreciated.

*Caroline Abbott, Chairman
Friends of St Peter & St Paul, Hoxne
cabbott364@gmail.com
01379 668359*

Next Stop Symi

The Trustees met for the first time since January 2020. In all that time we

have been monitoring events in the recognition that the situation on the islands has stabilized. EU/ Turkish Government arrangements reduced the flow of refugees to Greece to a trickle. That does not mean the humanitarian crisis has gone away, far from it, the refugees held in other countries remain with their lives on hold.

The changes in Afghanistan serve only to dramatically increase the flow of refugees. The true effects of all this is yet to become manifest. For the moment we, in our own small way, are ready to assist with local fund raising and support where we can, both in the Greek Islands and elsewhere as necessary. This, consistent with our core values, ensures that anything we give is done with the minimum of costs and monitored by Trustees on the ground.

Clear need for our help, on the basis I have set out, is not as yet been sought, or made apparent. We expect it may become apparent in the coming months and we stand ready to make appropriate contribution to help those in need. In



doing so we remain confident that our local support base here in Suffolk, as well as elsewhere in the country, and in Symi, will respond with us as necessary. We will update you as circumstances change.

It is possible in fundraising terms, that here in Hoxne “A Greek Night” may become an “Afghan Supper”!

The Trustees of NSS

New Reeding Woods Group

As October's colourful autumnal conditions returned, a small but enthusiastic work-party spent a fine, dry morning clearing overhanging branches and brambles from our boundary hedges and the grassy rides. The denser under-storey in the woodland blocks was left alone for the time being, as it provides essential competition for developing trees and cover for spring nesting birds.



Our meadow area is maturing well, 15 years after it's creation! New wild flower meadows are essential to habitat improvement, rewilding projects and in countering climate change, so here's how the group planned and installed Pound

Lane Wood meadow - with the generous help of Suffolk Wildlife Trust.

The whole site was originally part of an arable field, which meant the topsoil was too nutrient-rich to support most native grassland wild flowers, though trees and shrubs thrived. Wild flowers, especially perennial grassland species, require low soil fertility levels, so that coarser grasses and weeds cannot out-compete them.



The first job therefore was to ‘suppress’ the fertile topsoil by burying it beneath a layer of clayey subsoil. This was obtained from material dug out during the pond excavation. It was spread generously over the surface of the proposed meadow area.

Rather than use a standard wild flower seed mix from commercial suppliers, the group was advised to secure it from green (undried) hay taken from local designated county wildlife sites. Plants from seeds taken and used locally are more likely to suit nearby wildlife.

Cuttings were carried straight to site from local churchyards (Denham, Horham and Stradbroke Cemetery, from memory!), which all held established wild flower areas.

Green hay was spread carefully and (most important) thinly over the subsoil-covered field, allowed to dry in the sun



Cowhams

"For today's automotive demands"



Scan or visit
www.cowhams.co.uk

01379 388 999
enquiries@cowhams.co.uk

Traditional Oak Carpentry

Carpentry Repairs

New Oak Homes
and Extensions

Garden Structures

Condition Reports

3D Design Service

01449 768817

www.traditionaloakcarpentry.co.uk

UNDER ONE ROOF

THE COMPLETE HARD LANDSCAPING SERVICE

DRIVEWAYS, NATURAL
STONE PATIOS, DECORATIVE
WALLING, WATER FEATURES,
ENTRANCE GATES & FENCING.

PRESSURE WASHING CLEANING
OF PATIO AND DRIVEWAYS

FULLY INSURED FAMILY
BUSINESS WITH
OVER 20 YEARS EXPERIENCE

FOR A FREE NO PRESSURE
QUOTATION PLEASE CALL
MARK ON 01379 677027 OR
07768 636618

and then trampled to help release the seeds. Germination was rapid and gave a mix of native grasses and perennial wild flowers.



Low fertility is maintained through regular cutting and removal of arisings as hay, timed to allow the grasses and flowers to seed. Once the sward was established, Yellow Rattle was introduced to maintain optimal conditions for flowers to thrive. This is a native annual plant, parasitical on grasses, which weakens them, giving wild flowers a chance to compete and gradually establish themselves.

Wild flower meadows require sensitive active management from the outset, or they become weed-infested or over-manicured lawns. Scarifying dead 'thatch', rolling, cutting and removing arisings, are all essential activities described at length online and in books...but best undertaken with some experienced advice!

Our meadow proposals won the East Anglian Daily Times Wild Flower Award in 2005, and it has continued to mature ever since. The meadow perennials and grasses provide food for insect larvae and later nectar from the flowers. Small mammals enjoy the cover it provides and we hope this will encourage owls back to the box in the oak at the southern end of the wood.

If you want to have a wild flower meadow or wild flower patch at home, this will encourage wildlife into your garden. Good guides to doing this can be found at rspb.org, rhs.org.uk and wildflower.co.uk.

Please contact our secretary, Peny Conway on **07495 875299** if you would like to join us in any of our woodland activities.

Fressingfield Scouts

After many years of fund raising, planning and wishing, our new HQ arrived on 21st September! There were a few hiccups on the day and we are very grateful to everyone that helped to resolve the access difficulties.

Work continues to finish our HQ build, at the moment we have a very muddy site whenever the weather is a bit damp so we are laying hard surfaces and tidying up though sowing grass will probably need to wait until the spring.



The new HQ, just after the last module was put in place

The sections have been busy in their various locations, Pioneer Troop had a Pumpkin Carving evening outside at the new HQ which went very well with a display of glowing pumpkins on the heap of clay from the excavations. The two Cub packs went together to the Flixton Air Museum on an activity day with Cubs

Nick Fulcher

Plasterer & Floor Screeder
FREE ESTIMATES

Telephone 01379 642979



Local, professional
and reliable service

- ◆ All household plumbing
- ◆ Gas and oil boiler install and servicing
- ◆ Hot water cylinders
- ◆ Air source heating installation

Free non committal quotes

07749 315908

chrisjhoward5@googlemail.com

www.chrishowardplumbingandheating.co.uk

FRIENDLY PROFESSIONAL CARER

OFFERS QUALITY CARE IN YOUR HOME
PERSONAL CARE AND ASSOCIATED TASKS

N.V.Q. TRAINED

TRAINED IN DEMENTIA
AND MANUAL HANDLING

REFERENCES AVAILABLE

CONTACT: ANDREA
07872 530567



Anglia Chimney Sweeps & Stove Installations

- HETAS registered
- Professional and reliable service
- No obligation advice and estimate
- Insurance-recognised sweeping certificates
- Stove and Liners fully installed to current HETAS regulations
- Fully insured up to £5 million
- Smoke draft testing as standard
- No mess, no dust, no fuss



www.angliachimneysweeps.co.uk
Email: davidwatkinson@yahoo.co.uk
Call David: 07711 458575

J R Automotive Repairs

Servicing
Diagnostics

Unit 4 Air-conditioning
Corner Green Farm Brakes
Wingfield Green Exhausts
Wingfield Tyres
IP21 5RE

Phone: Wheel Alignment
MOT'S

07769 968160
01379 388378

www.jrautomotiverepairs.co.uk
Email: enquiries@jrautomotiverepairs.co.uk

R GRITTON

Professional Decorators
High quality, reliable service

**For all your interior and
exterior requirements**

Telephone: 01379 586768
Mobile: 07766 982600

from around the county. Explorers and Adventurers Scouts have been working together on outdoor and survival skills with the Explorers running teaching sessions for the younger section.

Our new Wednesday evening Warrior Beavers and Wolf Cub sections are growing well but still have room for new members.



Warrior (Wednesday) Beavers, in the new HQ making "scary masks"

The Group has returned to camping after the Covid restrictions with a small, older Scouts "Back to Basics" Camp in a wood. The short camp went very well and much was learned about camping away from roads, buildings, toilets and water taps. The Scouts also plucked and prepared pigeon and butchered rabbit for cooking, thank you to the Leader's friend, Michael who provided the game and gave up his Saturday afternoon to demonstrate these skills. We hope to repeat this camp in the spring when the days are a bit longer. Thank you as well to the farmer for use of his wood.

As part of our ongoing fundraising, we are organising a *Santa Fun Run* around

Fressingfield on **Saturday 18th December**. Permission has been received from Suffolk County Council and all the entry details can be found on page 6 of this issue.

The plan is to have 40+ costumed runners participating, Santa's, Elves, Fairies, Reindeer, Spiderman and anything else is welcome. The aim is to raise funds for the HQ, create a festive spectacle and have fun!

Please support this event if you can by dressing up, taking part and getting some sponsors.



A slightly smoky picture of breakfast for the Back to Basics Camp, bacon, sausage, hashbrown, tomato, mushroom, baked beans and scrambled eggs with bread and butter or toast

To find out more about 1st Fressingfield Scout Group have a look at our website or speak to any Leader.

1stfressingfieldscouts.org.uk



"In these unprecedented times, we were able to rely on Rosedale with complete confidence. You stood by us and were a tower of strength."

— from a family we have cared for at Rosedale



Rosedale
FUNERAL HOME

Diss **01379 640810** (24 hrs)
Harleston **01379 853999** (24 hrs)

www.rosedalefuneralhome.co.uk

We are a family business and promise to provide exceptional care and a truly personal 24 hour service, when you need it most.

Ron Rankin Painting & Decorating

For all your
Domestic & Commercial
Property Maintenance & Decorating
Competitive Prices &
Professional Standards
Reliable & Experienced

Telephone: 01379 388243

Mobile: 07762 326 226

Please call for
Advice & Quotations with
No Obligation



The Daily Care Agency



High Banks, Athelington Road, Horham, Eye, Suffolk, IP21 5EH

Tel: **01379 388438** - Mobile: **07977 075301**

E-mail: office@thedailycareagency.co.uk

ARE YOU LOOKING FOR SOME EXTRA CARE AND SUPPORT TO HELP YOU REMAIN INDEPENDENT WITHIN YOUR OWN HOME AND COMMUNITY?

THE DAILY CARE AGENCY IS A SMALL PRIVATELY OWNED DOMICILLIARY AGENCY THAT TAKES PRIDE IN HAVING THE TIME TO CARE AND OFFER INDIVIDUAL SUPPORT TO OUR CLIENTS

For further information, please contact **01379 388438 / 07977 075301**

ARE YOU A CARER? – WE REGULARLY RECRUIT FOR LOCAL CARERS TO JOIN OUR TEAM

The Daily Care Agency is registered and therefore licensed to provide services by the Care Quality Commission. Provider ID 1-101723169

Hoxne Phoenix Group

Hoxne Phoenix Group have had a successful start to the Autumn with several new members joining us. Our September meeting was a talk by a National Trust volunteer on the History of the Hervey family from Ickworth House. He gave us a potted history of the Ickworth Estate that was passed to the Hervey Family in the 17th Century. The House, as we know it today, began in 1795 with the Rotunda and various additions and alterations along the way until 1956. After the death of the 4th Marquess, his wife passed it on to the National Trust. The Hervey family were given a 99 year lease and lived in the East Wing until the 7th Marquess sold the lease in 1996 when it was converted into a hotel in 2002 and the West Wing became the Visitor Centre in 2005. It was a very interesting talk and encouraged us to perhaps go and visit or renew a previous visit from years past. We were extremely lucky that our Speaker was able to make it from Lavenham, as there had been torrential rain and flooding that day and evening.

October was a complete change - we had one of our handicraft evenings - this time we all made a decorated scissor holder guided by one of our own member - Jean Musgrave. These evenings are always relaxing with a lot of chat and plenty of sewing (or not so much in my case - too much chatter and not enough sewing!)

By the time you read this, a coach load of members and friends from Hoxne and around will have visited Ely for the Christmas Craft and Food show. This is always a fascinating day and even more this year as everything is spread around the Cathedral and marquees in the grounds of the Cathedral. There is also plenty of time for visiting the shops in Ely itself and for a spot of lunch.

At our Christmas meeting on **Tuesday 14th December** we welcome the return of Wendy Keable to speak to us. Those of us were enthralled by her talk in 2018 “7 years at sea” - as newly married and never having sailed, for their honeymoon her husband took her sailing on a trip that lasted 7 years! In December her talk this time will enlighten us on what adventures she has been up to since then. We await her visit!

We meet in Hoxne Village Hall on the **second Tuesday** of each month at 7.30 pm and have members not just from Hoxne but most of the surrounding villages. You can come along as a Visitor - we just ask for £3 for the evening (which includes tea/coffee biscuits) to see if you think it is for you.

Pat Green
patandbryan1@gmail.com
01379 668379

Hoxne Garden and Social Club

Our October talk was on Chinese Gardens, their origins and their regional variations within China. One thing that struck me was the importance of water to the design of many Chinese gardens and the use of large rocks often hewn out of the ground before being placed in a garden, with their natural raw beauty being admired unlike our western preference for carved stone. We already have three ponds in our garden and I have half expected to see a JCB digger one morning in our garden as the ponds are being enlarged Chinese style.

At the time of writing, our next speaker to entertain us in November will be Marie Lagerberg who is to talk about Wild Flower Meadows. Like all our talks this one will no doubt entertain but also inform and educate us about a topic about



Catholic Parish of
 The Most Holy Trinity
 Church of St Henry Morse
 Shelfanger Road, Diss IP12 4DX
 Parish Priest: Canon David Bagstaff
 Tel: 01379 642914

Mass Times:

Saturday : 10 a.m. and
 6 p.m. (Vigil Mass)

Sunday : 9 a.m.

Weekdays : 9.30 a.m. (Tues-Fri)

Website : www.sthenrymorse.com

(Info: Ellen Pitt Tel 01379 668308)

**Andy Keeble Ltd,
 Oil Fired Boiler & Heating
 Maintenance**

For oil boiler service,
 breakdowns and repairs.
 Replacement boilers, system
 upgrades and controls.
 OFTEC registered and over
 30 years' experience.
 Reliable and friendly service.

Tel: 01379 668596
 Mobile: 07801 515494
 Rainford Cottage,
 11 Green Street, Hoxne.

ACORN TREES

Professional advice & work

- TREE SURGERY
 Crown Reductions
 Section Felling
 Dead Wooding
 Felling
 Hedge Management
 Garden Work
 Landscaping
 Fencing

ADAM PICKESS

Merrist Wood College
 City & Guilds Tree Surgery
 Full public liability insurance

FREE ESTIMATES

Telephone: 01379 588122

Mobile: 07776 235006



JD Tree Services
 & COUNTRYSIDE MANAGEMENT

- Tree removal, felling or reduction
- Site clearance
- Stump grinding
- Waste removal
- Hedge cutting
- Chipping
- Firewood

Professionally trained, fully insured,
 friendly service
 Call today for a free no obligation quote



mobile: 07736 311782
 email: info@jdtrees.co.uk
 web: jdtrees.co.uk



which I for one know very little about. It is suspected that there is more to creating a wild flower meadow than just cutting the grass once or possibly twice a year and sprinkling some wild flower seeds randomly over the area. We shall see...

Covid 19 is unfortunately still with us although most of us now have some protection against it. It is because of this and, Government regulations permitting of course that we shall continue to have our talks taking precautions to minimise the risk of infection such as seating spread out to encourage social distancing. Visitors and members to our talks should also feel comfortable in wearing a face mask if they wish. Will we see you at our next talk ?

We are always on the look out for new members so if you would like to come along to one of our meetings just turn up on the **third Thursday** evening of the month at Hoxne Village Hall, 7.30 pm start.

Chris Parkin

Hoxne Heritage Group

It is encouraging to report that we have now held two of our regular monthly meetings in the Swan. Both were well attended and lively as always.

We are now well on the way to picking up where we left off in March 2020 and already have two events to look forward to in the coming weeks. On November 18th there will be a visit to the Waveney Valley History Group in Brockdish. This is a registered charity with aims and objectives similar to our own and should provide a useful exchange of ideas and information.

Meanwhile, we have finally been able to rearrange the much postponed return of Ivan Bunn who will be giving an

illustrated talk on the History of the Lowestoft Fishing Industry. This will take place in the Village Hall on **Tuesday 25th January** so make a date in your diary for what should be an entertaining and informative evening.

Looking further ahead the second part of our World War Two exhibition postponed from 2020 has been rescheduled for September 2022 on a day to confirmed nearer the time.

In the most recent Village Voice, reference was made to Ritual Protection or Witch Marks inscribed on the beams of many local timber framed houses and churches. Richard Giffin from the HHG is researching the subject and has had some limited feedback but would still like to hear from anyone who is aware of such marks in their property, so please do contact Richard, email:

richard.giffin@yahoo.co.uk

Finally, last month the group celebrated its tenth anniversary and a number of the original members are still active today. However we are always on the look out for new blood so if you are interested please do come along to our meetings in the Swan you will be most welcome. Please contact our Secretary Margaret Sillis, email:

margaret.sillis@btinternet.com

David Hyde

www.hoxnehistory.org.uk

Sarahs Hair Design

10 Church Street, Eye,
Suffolk IP23 7BD

Open Monday - Saturday
Late Appointments Thursday
Telephone 01379 871560

**K.G. READ & SON
PLUMBING & HEATING
CONTRACTOR**

- **BOILER INSTALLATION,
SERVICE & REPAIR.**
- **OIL TANK REPLACEMENT.**
- **BATHROOM & SHOWERS
INSTALLED INCLUDING
CERAMIC TILING.**

**MARCUS READ
01379 668328
07710 757334**

**ORCHARD HOUSE,
HECKFIELD GREEN, HOXNE**

ED'S PLAICE

Traditional Fish and Chips

- Wednesdays: serving from 3 - 7pm
PULHAM MARKET, The Green
- Thursdays: serving from 4 - 7pm
HOXNE, St Edmunds Close
- Fridays: serving from 4 - 7pm
WORTHAM, Common

**Tel: 01379 741967
Mob: 07904 231006**

HOXNE SERVICE STATION

**Servicing and Mechanical
Repairs**

**MOT preparation
Welding repairs**

Tel: 01379 668654



Dove
Electrical Services

- Domestic Electrical Services
 - Installations
 - Modifications
 - Repairs
- PAT Testing
- Free Estimates
- No Job Too Small

Ian Heath

contact@doveelectricalservices.co.uk

07850 374352 www.doveelectricalservices.co.uk

ADE SELLARS - GARDENER

RHS QUALIFIED - RELIABLE - REASONABLE RATES

Garden Maintenance, Hedge Trimming, Mowing
Patio Cleaning, Planting, Pruning, Turfing
Weeding, Vegetable Garden Creation

Call today for a friendly chat about how
I can help make your garden bloom

**Email: adriansellars@hotmail.com
Mobile: 07957 588545**



NATALIE CANNING

— The soft furnishing experts —

CURTAINS | BLINDS | FABRICS

www.nataliecanning.co.uk 01379 668170



**Michael Bloomfield
Electrical Services**



Elecsa Reg. 22969— Part P compliant

All Domestic & Commercial work
Fuse boards, Fault finding
New wiring / re-wiring
Testing & Inspection

Phone 07590 507307

01379 851964

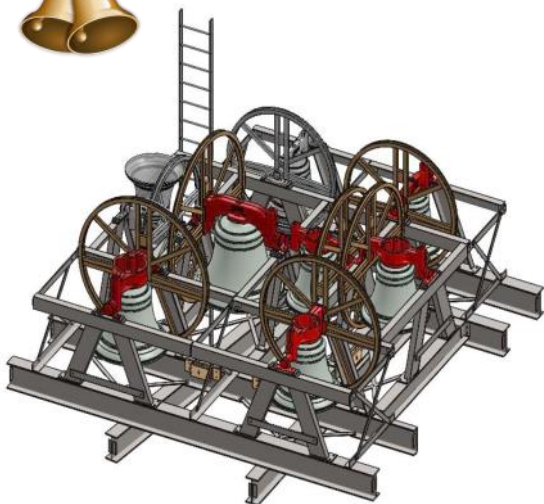
Hoxne Bell Ringers

We have continued to practise at Oakley regularly on Tuesdays. The Oakley bells have had their frame painted and improvements have been done to the tower. They have also lime washed the inside of the tower and we have provided ringing mats. We cleaned out the cupboard in the ringing chamber and repaired the doors and all together the Oakley bells are going well.

There was an inspection of the five bells in Brome tower which is a round tower. They were rung while the diocesan bell advisor remained in the bell chamber. There was seen to be a little movement in the frame but they were pronounced safe and useable. The access to the ringing chamber is a challenge because the ladder goes up a fairly small steep tunnel.

The faculty for the Hoxne bell restoration will be submitted soon. Taylors of Loughborough have produced some proposed layouts one of which is shown.

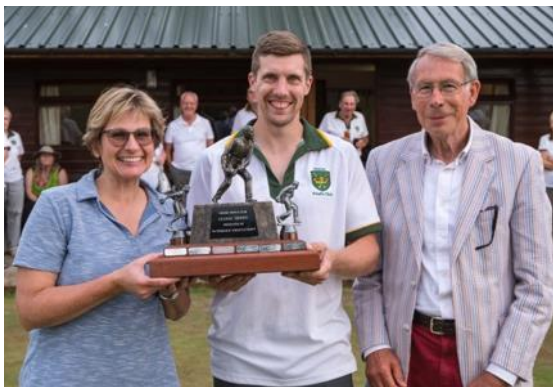
Andrew Castleden
07931 725 928
fal@castleden.co.uk



Hoxne Bowls

A final fling and a labour of love

In mid September Hoxne Bowlers enjoyed a great Sunday afternoon's bowling to end their season. Jules Blaxhill and Kristian Garnham carried off the pairs trophy, presented by Club President, David Hyde.



The following day, however, showed a different picture on the coveted green. A party of hard working members began work, de-thatching, moss killing, spiking and hollow tining in readiness for sewing new grass seed. The intense work carried on well into October and constant maintenance will continue throughout the winter to ensure a good playing surface in the coming year.

Roger Knight



G.G. EVANS

Pest Control Services

07795 177695

01379 608932

info@ggevens.co.uk

**MOLES, RABBITS,
WASPS & MORE**



Soil Association Member AG25612



Anglian Organics
Organic Fruit & Veg

Delivery to your village every Wednesday

Mobile **07748 156953**

Email for produce list

anglian.organics@outlook.com

J. FELTON
CHIMNEY SWEEP

- CLEAN & FRIENDLY SERVICE
- FULLY INSURED
- SMOKE TESTS
- INSURANCE CERTIFICATES
- CCTV INSPECTIONS
- COMPETITIVE RATES

PLEASE CALL **01986 799175**



REGISTERED MEMBER OF THE INSTITUTE OF CHIMNEY SWEEPS

B.C. GODDARD

INTERIOR / EXTERIOR
PAINTER, DECORATOR
PROPERTY MAINTENANCE

Call Brian for a free quote on

01379 388174

or mobile

07759 956627

www.bcgoddard.co.uk



HANDYMAN SERVICES EYE

All manner of repairs
improvements & general building
works undertaken large & small.

Friendly reliable honest work.

Please call Mark

07818 088080

01379 871399



SCOTT REGAN
CHIMNEY SWEEPING

Professional, clean & qualified service

- Industry standard certificate issued with every sweep
- Brush & HEPA filtered vacuum
- Power sweeping
- Chimney cowl fitted
- Tar removal from chimney
- Full public liability insurance

Tel: 01379 678881

Mob: 07962 207846 / 07740 008456

Email: info@scottreganchimneysweeping.co.uk

www.scottreganchimneysweeping.co.uk



SCOTT REGAN
WINDOW CLEANING

- All domestic & commercial windows cleaned
- Inside and outside cleans available
- Builders first cleans
- Solar panels cleaned
- Fascias, soffits & gutters cleaned
- Conservatory roofs cleaned
- Patio & driveway cleaning also undertaken
- Full public liability insurance

Tel: 01379 678881 Mob: 07962 207846 / 07740 008456

Email: info@scottreganwindowcleaning.co.uk

www.scottreganwindowcleaning.co.uk



Andrew Jude
BUILDING SERVICES

Carpentry, Joinery, Extensions, Renovations,
Timber Frame Buildings & all General Building work

Tel: 01379 870114
Mobile: 07710 769668

Wingfield & District Gardening Club

Unfortunately, due to Covid-19 we are still restricting meetings as our Brundish Village Hall venue is very small. Please look out for updates in the latest *Wilby and Brundish Parish Newsletter* which can be viewed at:

wilby.suffolk.cloud/parish-newsletters/



Priscilla Williamson
priscillaawilliamson@gmail.com
01379 388034

Another Little Secret ...although it's never been a secret to me...

I'm very keen to share yet another secret. Intrigued, well let me tell you about a little, local outing that I made with a Hoxne friend on Sunday 31st October. We went all the way to Denham, to the *Red Feather Club*.

The friend claims to be a lifelong Hoxne resident, and has never been there - and was so amazed at what she found. We so enjoyed the atmosphere, the place itself, the music, the friendly people, the displays and the cup of tea.

AND it's all free, (tea is at a reasonable price) so you can pop in for half an hour or stay all day - obviously they would love a donation, if you are able.

Please do go along on the **last Sunday** of the month from **April to October** in the coming year - and share this local 'secret'. My friend is eager to go along in 2022 and take other friends with her.

Red Feather Club Museum
Coldhams Hill, Denham, IP21 5DG
Visit the club website for information:
www.95thbg-horham.com

JT

Suffolk Libraries – Mobile Library Routes

Hoxne and Denham Calling every 4 weeks on **Thursdays**

Next stops: **16th December and 13th January**

Hoxne, The Swan car park from 10:35 to 10:50

Hoxne, St Edmunds House from 11:00 to 11:15

Denham, Post Office from 11:25 to 11:35

Syleham and Wingfield Calling every 4 weeks on **Fridays**

Next stops: **21st January (no visit in December)**

Syleham, Wingfield Road (Junction with Weybread Road) from 11:40 to 11:55

Wingfield, Post box from 12:00 to 12:20

Parish Council Reports

Please see page 2 for Parish Council contact details and website addresses.

Denham

It is with sadness that we acknowledge the recent death of our Parish Clerk, Rod Caird. We had been fortunate enough to work with Rod since 2018 and he was extremely knowledgeable and professional in all his dealings with the Council. But above that, he was interesting, enthusiastic, supportive and a true gentleman. He was a pleasure to work with and will be much missed.

The Council has begun the process of recruiting for a new Clerk but in the interim, if you need to contact us, please do so through Tania Farrow, Chair of the Parish Council via email at:

tgfarrow@btinternet.com

or on **07758 739052**. Potential applicants for the role of Clerk can also use these contact details to apply to be considered for the role.

The next meeting of the Parish Council will be held on **Tuesday 30th of November** from 7:30 pm at St John the Baptist Church in Denham. The Parish Council will be discussing the Suffolk County Council Lorry Review and would

welcome input from Denham residents. The Community Review began on the 22nd of October and will run for eight weeks to the 17th of December. The online survey asks each Parish Council to provide up to three routes or locations where they feel HGV traffic has the highest impact on their community. We would like to ensure that everyone has an opportunity to have their say and would encourage you to express your views using the contact details for the Chair, as noted above, or as part of the open meeting at the November Parish Council meeting. Further information about the review can be found on the Suffolk County Council website.

www.suffolk.gov.uk/roads-and-transport/lorry-management/lorry-route-plan-review-in-suffolk/

We are continuing to focus on fundraising for the renovation of the Village Hall in conjunction with Denham Community Council who organized a fantastic Supper Auction in October which raised over £3000. Thank you to all those who helped with the planning of this event and more importantly to those who joined us for a very enjoyable evening and bid so generously for the donated lots. We would also like to thank Edward Taxil-Webber, professional auctioneer from T W Gaze in Diss, who freely gave his time to support the event

The Auberge

*Restaurant with Rooms
Since 1995*

Lunches - Tuesday to Friday - 12noon to 1.30pm

Dinners - Monday to Saturday - 6.30pm to 9.30pm

*www.the-auberge.co.uk - 01379 783 604
Ipswich Road, Yaxley, Suffolk, IP23 8BZ*



Simply Beautiful by Anne

*Weddings, Bridesmaids, Ball Gowns,
Curtains, Cushions, Alterations
and much more*

Free Estimates Given

Magnolia House, Wilby Rd, Stradbroke

Tel: 01379 384097

Mob: 07944 894757

and helped to raise such a fantastic amount towards the renovation. For information about other event sponsors and updates on progress or future events, please keep an eye on the Community Council website at:

www.denhamccmidsuffolk.org.uk

Hoxne

Neighbourhood Development Plan - The draft of the Plan was approved by the Parish Council at the November meeting. The Parish Council wishes to thank all those parishioners that have worked to date on the Plan. The full plan and supporting documents, including housing needs survey, design guide and ecological surveys (all of which have been independently and professionally produced to support the Plan) are available to view at:

www.hoxneneighbourhoodplan.co.uk

The draft Plan allocates two sites (one of which had already been identified for housing within the Mid Suffolk Local Plan) for development of approximately 50 dwellings in the Denham Road and Heckfield Green area. The next stage is to consult the parish on the draft Plan. Further details of the consultation events are included with this edition of the Village Voice.

The final version of the Plan will be adopted by referendum (every

parishioner having the chance to vote in favour, or not) and will form part of planning policy for the village. Therefore, this is your chance to say where development (for which there is already a proven need) will happen.

Highways - The Parish Council will make a response to the Suffolk County Council Lorry Route Map Review at its meeting on **Thursday 2nd December**. Parishioners are encouraged to submit their comments to the Parish Council for consideration. Further details can be found at:

www.suffolk.gov.uk/roads-and-transport/lorry-management/lorry-route-plan-review-in-suffolk/

HM Queen Elizabeth's Platinum Jubilee

- **June 2022** - The Parish Council has agreed to make money available to established groups in the Village to support plans for events over the extended Jubilee celebration weekend (2nd to 5th June 2022). The Parish Council will welcome applications for payments from the allocated £1200 fund as well as hearing of ideas for village celebrations.

Meeting Dates - Our next meetings are on **Thursday 2nd December** and **Thursday 6th January** both at St Edmund's Hall, 7.30 pm start.

There are currently vacancies on the Parish Council and if you are interested in finding out more please contact the Clerk or one of the current Councillors.

Syleham

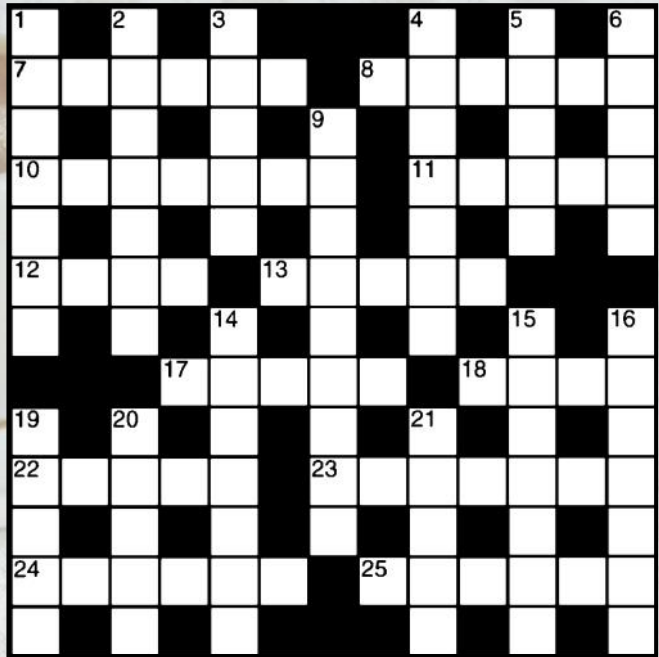
Our next Parish Council meeting is to be held on **Wednesday 1st December** at the Village Hall. If you have any ideas on how we can improve the village please come and share them.



Crossword Puzzle No. 144

To enter the crossword competition, send* your solution to the editor for a chance to win £10. The winner will be the first correct entry picked at random from those received by **Saturday 8th January** latest.

*Don't forget you can email a photograph or scan of your entry too!



Across

- 7 Tailor on board a fast sailing boat (6)
- 8 Work out how to describe a number (6)
- 10 Honest goalpost (7)
- 11 May well feel at home in Baghdad (5)
- 12 Free up a rocky outcrop (4)
- 13 Resentment heard on a mountain top (5)
- 17 Leeway for policeman in Kent for example (5)
- 18 Unconscious in a sitcom accident (4)
- 22 Drink to a breakfast item (5)
- 23 Mail put in beer by a disciple (7)
- 24 Corroded duster (6)
- 25 Attitude of one in a country house I hear (6)

Down

- 1 Obtain a quantity of paper (7)
- 2 Begin a meal with a race official (7)
- 3 Fudge a decision on garden boundary (5)
- 4 Tiny mother at the very least (7)
- 5 Lemur also included in wall painting (5)
- 6 Start for example in trash can (5)
- 9 Formerly lived in Abyssinia (9)
- 14 Rest cat and disperse quickly (7)
- 15 Good luck to make lots of money (7)
- 16 Capital wine from the Azores (7)
- 19 Being strict at rear of boat (5)
- 20 Audibly squander a vital statistic (5)
- 21 Damon becomes a wanderer (5)

The winner of crossword puzzle no. 143 was: A Margolis, Syleham

Answers - Across 1) Promise 5) Skuas 8) Nudge 9) Cruiser 10) Carotid 11) Total 12) Scythe 14) Tramps 17) Broom 19) Endemic 22) Regards 23) Ashen 24) Sinks 25) Stetson

Down 1) Panic 2) Orderly 3) Inert 4) Escudo 5) Saunter 6) Upset 7) Strolls 12) Suburbs 13) Humerus 15) Memphis 16) Versus 18) Organ 20) Drape 21) Canon

Hoxne Post Office, Shop, Deli and Tea Rooms

Low Street, Hoxne IP21 5AR Tel: 01379 668334

Shop Opening hours:

Monday to Saturday 09:00 to 17:30

Sunday 09:00 to 11:00

(We are closed on Bank Holidays)

We are a local village Post Office, shop and tearooms. We stock bread, cakes, dairy and grocery items and frozen ready meals.

Post Office Counter hours remain the same for now:

Monday, Tuesday	09:00 to 13:00 and 14:00 to 17:30
Wednesday	09:00 to 13:00
Thursday, Friday	09:00 to 13:00 and 14:00 to 17:30
Saturday	09:00 to 12:30
Sunday, Bank Holidays	Closed

Waveney Tree Specialists

Your local tree surgeons, based in Hoxne

We specialise in:

- Tree surgery and felling
- Reshaping and pruning
- Disease and storm damage
- Stump removal
- 20m hoist and operator for hire

Fully qualified, certificated and insured.

For free estimates please call Joan or Alan Garnham

01379 668636 or 07990 801388

waveneytrees@btconnect.com

www.waveneytrees.com

**UK
Champion**

EDITOR

Position Vacant - Can you help?

See page 9 for details.

E-mail: vvssuffolk@live.co.uk Website: vvssuffolk.co.uk

Joan at Hoxne Post Office & Shop has kindly agreed to accept copy and crossword entries on our behalf.

DEADLINES

Issue	Copy Date
February/March	8th January
April/May	8th March
June/July	8th May
August/September	8th July
October/November	8th September
December/January	8th November

ADVERTISING

If you would like to place an advertisement, let us know and we will contact you.

ADVERTISING CO-ORDINATOR

Dawn Lodge, 5 Cross Street,
Hoxne, Eye IP21 5AJ

Tel: 01379 668521

E-mail: dlodge@talktalk.net

DISTRIBUTION

Sally Dudley and teams of distributors in each village.